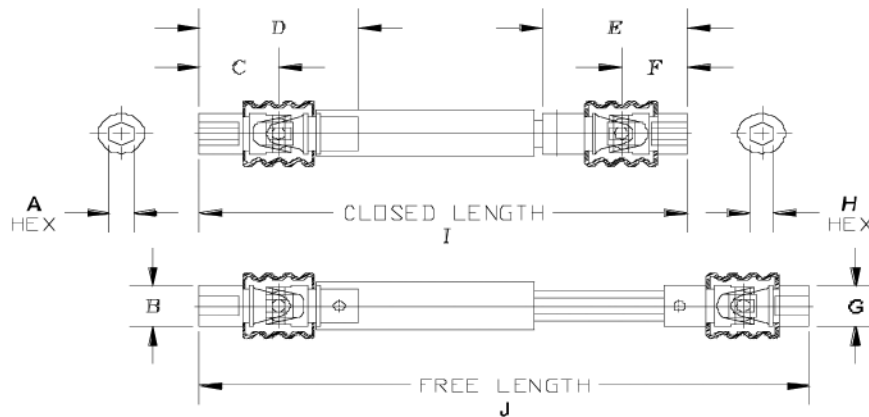


Designers & Manufacturers of Drilling & Tapping Solutions



Proconier Part No.	RDH PART NUMBER	UPPER JOINT				LOWER JOINT				LENGTH	
		A HEX	B O.D.	C PIVOT CENTER TO END	D OVERALL	E OVERALL	F PIVOT CENTER TO END	G O.D.	H HEX	I CLOSED LENGTH	J FREE LENGTH
33275-1MU	UJ2010	1/4	0.50	0.730	1.46	1.545	0.730	0.38	11/64	4.630	5.800
33270-2MU	UJ2020					1.460	0.730	0.50	1/4	4.630	5.720
	UJ2020L					1.460	0.730	0.50	1/4	5.060	6.440
60490	UJ3010S	5/16	0.62	0.816	1.695	1.436	0.730	0.38	3/16	4.560	5.310
	UJ3020S					1.460	0.730	0.50	1/4	4.560	5.310
	UJ3030S					1.632	0.816	0.62	5/16	4.560	5.310
	UJ3010					1.436	0.730	0.38	3/16	5.310	6.500
60492	UJ3020	5/16	0.62	0.816	5.375	1.460	0.730	0.50	1/4	5.310	6.500
	UJ3030					1.632	0.816	0.62	5/16	5.375	6.562
	UJ3010L					1.460	0.730	0.38	3/16	7.560	9.630
	UJ3020L					1.460	0.730	0.50	1/4	7.560	9.630
60494	UJ3030L	5/16	0.62	0.816	5.375	1.632	0.816	0.62	5/16	7.560	9.630
	UJ4020					1.460	0.730	0.50	1/4	7.560	9.630
	UJ4030					1.632	0.816	0.62	5/16	7.560	9.630
	UJ4040					2.326	1.058	0.75	3/8	7.560	9.630
60496	UJ6030	1/2	1.00	1.250	2.940	1.632	0.816	0.62	5/16	7.690	9.250
	UJ6040					2.326	1.058	0.75	3/8	7.630	9.250
	UJ6060					2.500	1.250	1.00	1/2	7.690	9.300
	UJ6040L					2.326	1.058	0.75	3/8	9.310	11.000
	UJ6060L					2.500	1.250	1.00	1/2	9.410	10.870
UJ8040	UJ8060	3/4	1.25	1.879	3.758	2.326	1.058	0.75	3/8	10.630	13.750
						2.500	1.250	1.00	1/2	10.810	13.880
						3.758	1.879	1.25	3/4	11.750	14.630



ROCKFORD DRILL HEAD



3445 Lonergan Drive, Rockford, IL 61125 • Tel: 815/874-9421 Fax: 815/874-9425 • www.rockford-ettco.com
 304 Winston Creek Parkway, Lakeland, FL 33810 • Tel: 863/688-0071 Fax: 863/682-6233 • www.procunier.com

Rockford-Ettco reserves the right to modify product design in the interest of improving quality.

© 2007 Rockford-Ettco

Form REP071-2-4