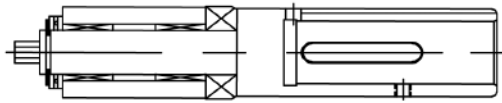


Designers & Manufacturers of Drilling & Tapping Solutions

Cartridge Spindle Assemblies



COLLET TYPE



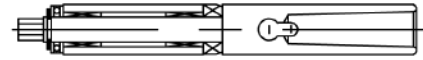
ASA TYPE



PITCH-COMP. TYPE

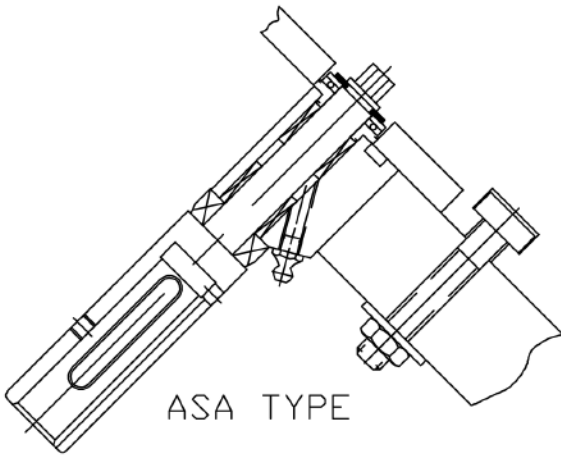


ADJUSTABLE
DEPTH TYPE

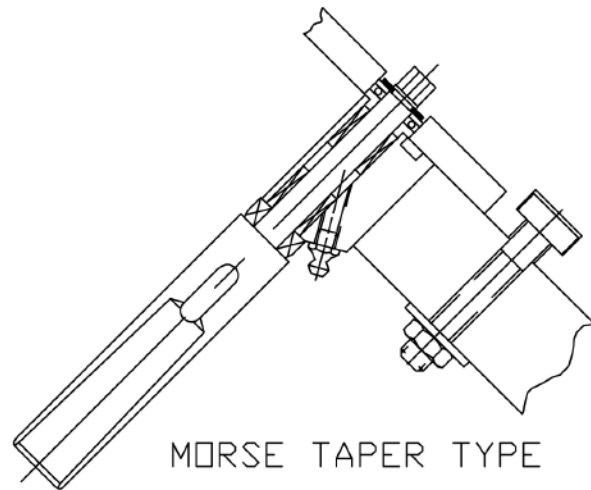


MORSE TAPER TYPE

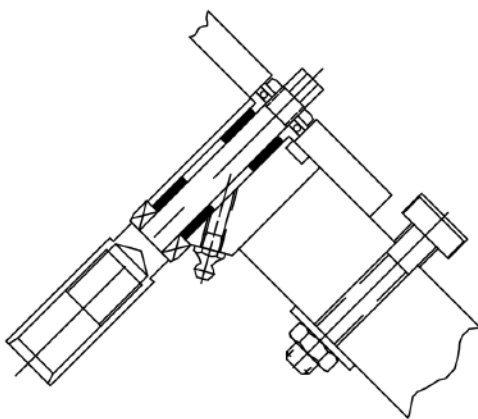
Arm Style Spindle Assemblies



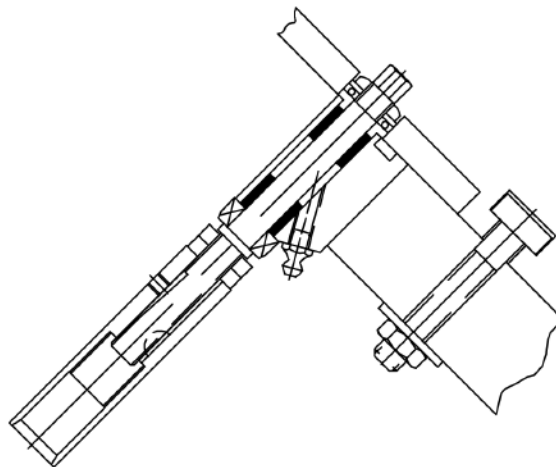
ASA TYPE



MORSE TAPER TYPE



COLLET TYPE



ADJUSTABLE
DEPTH TYPE